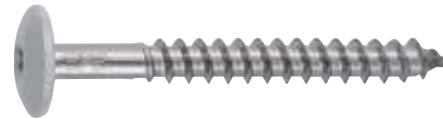
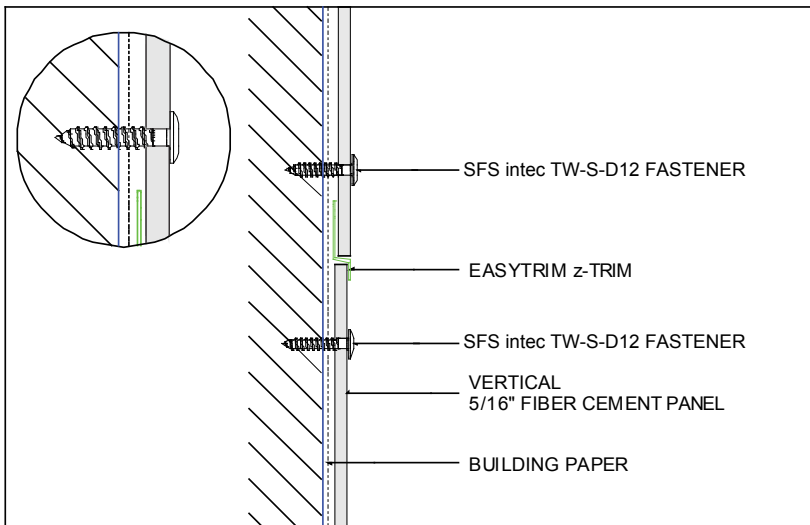


Fastener Technical Bulletin

AlluraUSA recommends 300 series austenitic stainless steel cladding fasteners by SFS intec, Inc. when installing Allura fiber cement siding/architectural panels using Easytrim Reveals™ wall panel systems.

300 series austenitic stainless steel cladding fasteners are specifically designed to be corrosion resistant and are available with plain finish and in colors matched to Allura Vertical Siding (panel) and Allura Lap Siding (plank) products.

Application - Allura Panel to Wood



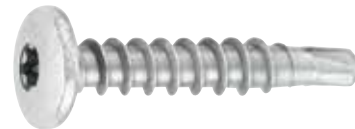
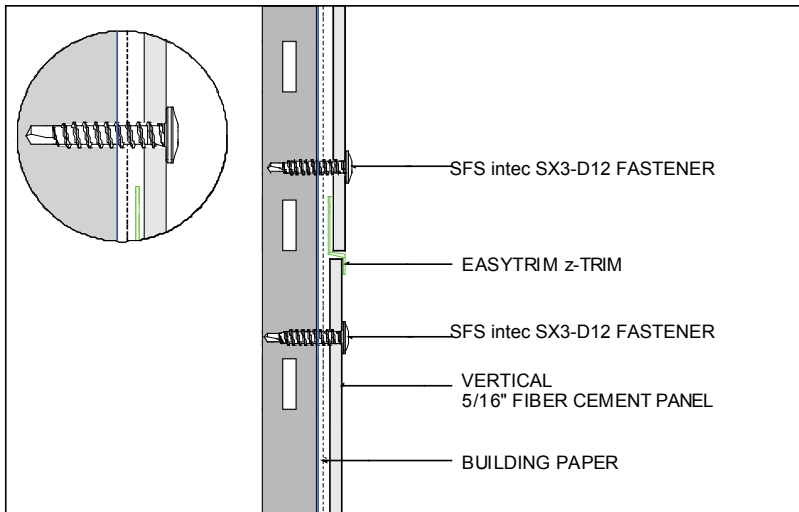
Head Style: T20W TORX® Pan Head
Thread Diameter: 0.189"

SFS intec Part #	SFS intec Global Code	Description
902988	TW-S-D12-4,8X25	10-12 X 1"
62661	TW-S-D12-4,8X30	10-12 X 1-1/8"
625848	TW-S-D12-4,8x38	10-12 X 1-1/2"
698813	TW-S-D12-4,8X44	10-12 X 1-3/4"
55443	TW-S-D12-4,8X60	10-12 X 2-3/8"

Installation:
Fastener length should provide for a minimum of 1" penetration into wood substrate.

0-2500 rpm screwdriver equipped with depth sensing nosepiece. T20W TORX® drive bit.

Application - Allura Panel to Steel



Head Style: T25 TORX® Pan Head
Thread Diameter: 0.220"

SFS intec Part #	SFS intec Global Code	Description
1271253	SX3/15-D12-5,5X30	12-11 x 1-3/16"

SX3 TORX is an austenitic stainless steel fastener with a bi-metal welded carbon steel point.

Installation:
Fasteners should provide for a minimum of 3 fully developed threads through the metal substrate.

0-2000 rpm screw gun equipped with depth sensing nosepiece. T25 TORX® drive bit.

SFS intec Fastener Color Codes

SFS intec fasteners are available with a plain finish or painted to color match Allura Colormax® finishes in solid colors and stains. Use the color charts below to identify the fastener color code for each Allura panel color or stain.



Colormax® Finishing System

Solids



031 Snow
Fastener Color Code: 014



602 Linen
Fastener Color Code: 1100



033 Sterling Gray
Fastener Color Code: 1588



611 Olive
Fastener Color Code: 1652



615 Autumn Red
Fastener Color Code: 1654



610 Nantucket Gray
Fastener Color Code: 1645



007 Desert Tan
Fastener Color Code: 548



613 Pewter
Fastener Color Code: 578



059 Savannah Wicker
Fastener Color Code: 248



614 Coastal Blue
Fastener Color Code: 755



060 Natural Clay
Fastener Color Code: 109



042 Cypress
Fastener Color Code: 1653



617 Taupe
Fastener Color Code: 422



097 Flagstone
Fastener Color Code: 1106



055 Light Maple
Fastener Color Code: 3106



027 Pacific Blue
Fastener Color Code: 853



618 Marigold
Fastener Color Code: 1657



047 Forest
Fastener Color Code: 1655



014 Suede
Fastener Color Code: 1656



034 Granite Gray
Fastener Color Code: 696



029 Sable Brown
Fastener Color Code: 230



019 Hearthstone
Fastener Color Code: 137



Colormax® Finishing System

Stains



522 Redwood
Fastener Color Code: 539



521 Mahogany
Fastener Color Code: 1254



526 Emerald
Fastener Color Code: 1558



523 Cedar
Fastener Color Code: 2042



524 Maple
Fastener Color Code: 1376



525 Slate
Fastener Color Code: 696

Color swatches shown are for visual representation only. Swatch colors are not an exact match to painted fastener and may vary dependent on the color and resolution of computer monitor settings or color printer calibrations.

Fastener Supplier

To purchase or for technical support on these austenitic stainless steel cladding fasteners, please contact SFS intec, Inc. directly:

SFS intec, Inc. FasteningSystems
Spring St. & Van Reed Rd., Box 6326
Wyomissing, PA 19610

Tel: 1-610-790-2629
Fax: 1-610-376-8551
www.sfsintecusa.com

