



This technical bulletin is NOT intended to take the place of the published Allura Installation Manual, but to be read in conjunction with the Allura Installation Manual dated October 2025 and the CERus-1012, expiration date November 2028. If a more current version of the Installation Manual or this technical bulletin is available, this version is no longer applicable.

For complete instructions, go to www.allurausa.com

SCOPE

Outlines the best practices for installing the 16-inch (406mm) wide Allura fiber-cement Panel Siding. Refer to the most current version of the Allura Installation Manual and relevant Technical Bulletins for full instructions.

PRODUCT DIMENSIONS

Width	Length	Thickness	Coverage per Piece	Pieces per Square	Pieces per Unit	Coverage per Unit
16" (406mm)	12' (3,658mm)	5/16" (7.9mm)	16 ft ² (1.49 m ²)	6.25	120	1,920 ft ² (178.4 m ²)

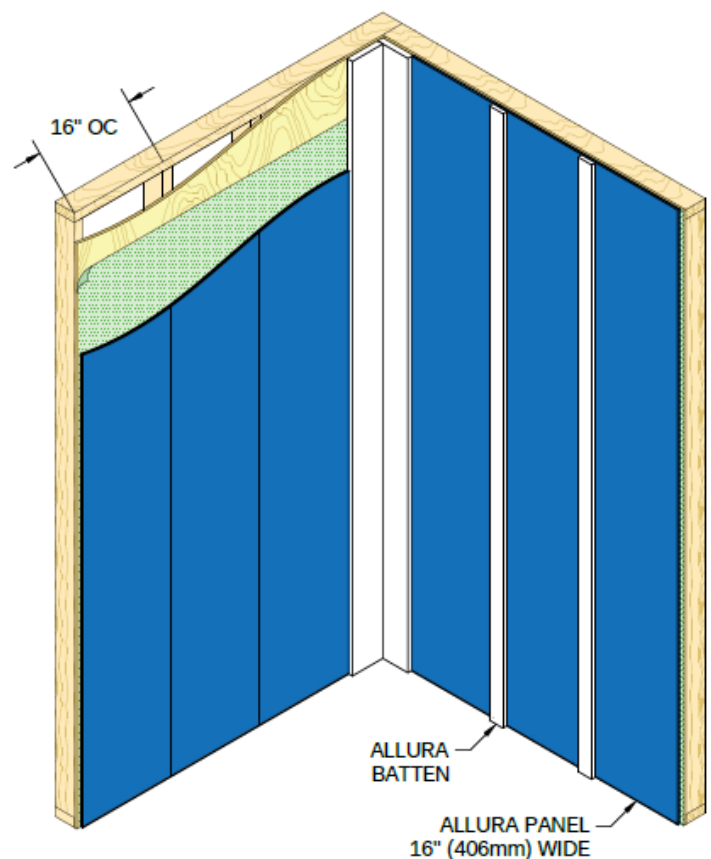
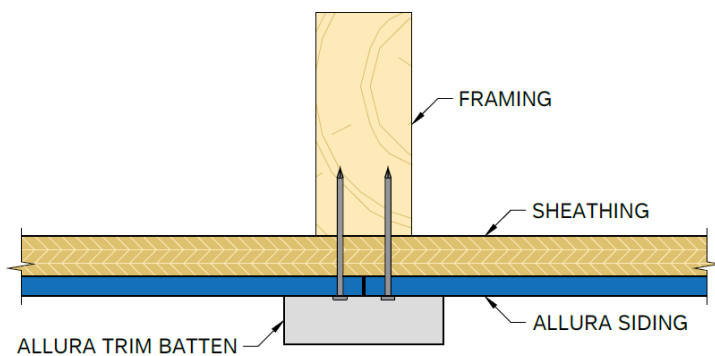
TYPICAL ASSEMBLY

- The Allura 16-inch (406mm) wide fiber-cement Panel Siding is most typically installed in a board-and-batten assembly, with batten strips covering each vertical panel joint.
- Only install on 16-inch (406mm) OC framing unless otherwise noted in the CERus-1012 code report.
- Ensure all panel edges fall on a framing member unless otherwise noted in the CERus-1012 code report.

DO NOT use Allura Soffit as a vertical panel siding.

DO NOT install using Commercial Patterns A & B.

DO NOT install horizontally.



This Technical Bulletin is provided for informational purposes and intended as a guideline and is not intended to be a warranty or promise as to product performance. Please refer to Allura's applicable written installation instructions and Limited Warranties for more information. Please comply with applicable building codes effective in the city, state, or town where the installation is occurring. In the event there are discrepancies between Allura's installation instruction and applicable building code, adhere to the requirement that is more stringent. Failure to do so may violate laws, affect product performance, result in personal injury, and may affect warranty coverage. Compliance with local building codes, regulations, and standards is the responsibility of the installer. Any information or assistance provided by Allura in relation to specific projects must be approved by the relevant specialists engaged for the project eg. builder, architect, or engineer.



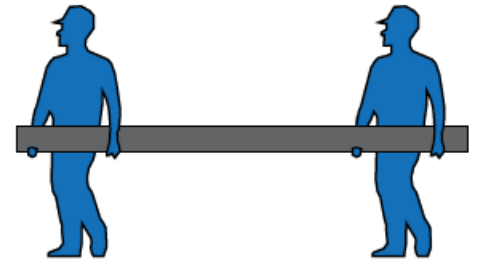
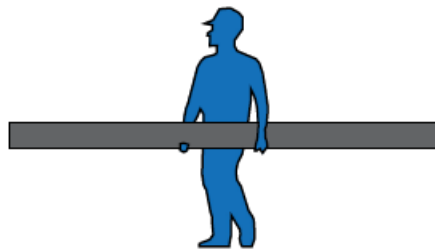


This technical bulletin is NOT intended to take the place of the published Allura Installation Manual, but to be read in conjunction with the Allura Installation Manual dated October 2025 and the CERus-1012, expiration date November 2028. If a more current version of the Installation Manual or this technical bulletin is available, this version is no longer applicable.

For complete instructions, go to www.allurausa.com

HANDLING

- Always carry 16-inch (406mm) wide Panel Siding by its narrow edge and evenly supported.
- Excessive bending or flexing may damage the product.
- Allura recommends the 16-inch (406mm) wide Panel be carried by two people, especially if carrying more than one piece.

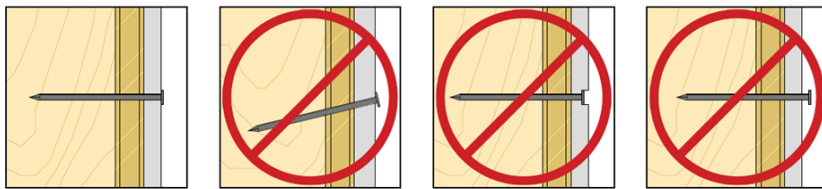


FASTENING

- Use corrosion resistant, galvanized, or stainless steel fasteners. Allura does NOT recommend electro-galvanized nails.
- Typical fastening pattern is 6-inch (152mm) OC around the perimeter, unless otherwise noted in the CERus-1012 code report.

DO NOT use D-head or clipped nails, staples, finish or trim nails, or liquid adhesive.

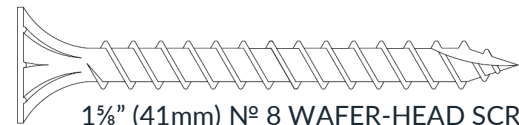
*For metal framing, ensure ¼-inch (6.4mm) or three (3) full threads minimum penetration.



2" (51mm) SIDING NAIL



2" (51mm) RING-SHANK SIDING NAIL



1 1/2" (41mm) Nº 8 WAFER-HEAD SCREW



Nº 8 SELF-TAPPING WAFER-HEAD SCREW*

ADDITIONAL INFORMATION

For additional resources, including our most current installation instructions and code reports, please visit our website at www.allurausa.com. For technical services email technical.services@elementia.com or call 844.4.ALLURA.

This Technical Bulletin is provided for informational purposes and intended as a guideline and is not intended to be a warranty or promise as to product performance. Please refer to Allura's applicable written installation instructions and Limited Warranties for more information. Please comply with applicable building codes effective in the city, state, or town where the installation is occurring. In the event there are discrepancies between Allura's installation instruction and applicable building code, adhere to the requirement that is more stringent. Failure to do so may violate laws, affect product performance, result in personal injury, and may affect warranty coverage. Compliance with local building codes, regulations, and standards is the responsibility of the installer. Any information or assistance provided by Allura in relation to specific projects must be approved by the relevant specialists engaged for the project eg, builder, architect, or engineer.